

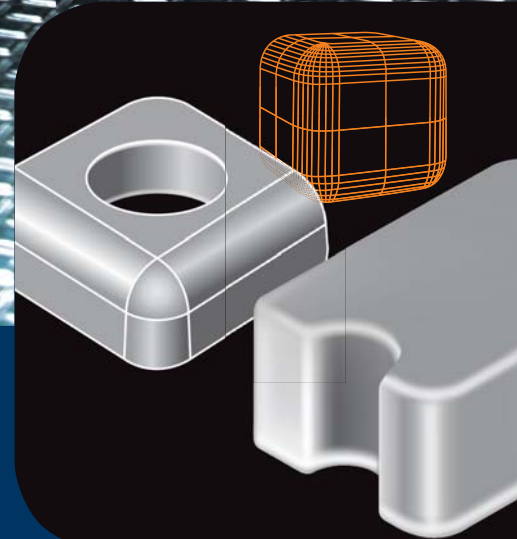
**NEW**

**Nine<sup>9</sup>**

# Indexable Corner Rounding Cutter

*Various corner  
radius inserts  
can fit  
on same holder*

*Carbide insert  
can stand  
very long tool life*



▣ **Inserts Features>>**

- Carbide insert , each insert has four cutting edges.
- For front and back chamfering.
- Inserts are CNC ground for precision radius location.
- Universal grade for all kind of steel and cast iron.

Code	Parts No.	Grade	Coating	Corner radius ( R )	Dimensions		
					L	S	
014404	N9MT11T3R10-NC2071	P35	TiN	1.0		11.11	3.97
014405	N9MT11T3R15-NC2071	P35	TiN	1.5		11.11	3.97
014406	N9MT11T3R20-NC2071	P35	TiN	2.0		11.11	3.97
014407	N9MT11T3R25-NC2071	P35	TiN	2.5		11.11	3.97
014408	N9MT11T3R30-NC2071	P35	TiN	3.0		11.11	3.97

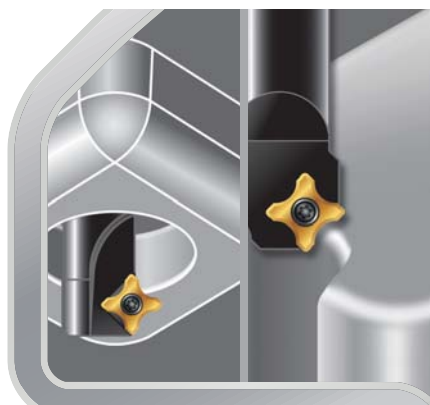
THE ACCURATE &  
ADVANTAGED SOLUTION

www.jic-tools.com.tw



# R1.0~R3.0

All are interchangeable on same holder



## Holdings Features>>

- \* Center of radius of each tool is dedicated.
- \* Tool offset can be set after measuring tool length by tool presetter or Z-Zero Setter.

Code	Parts No.	ød	L	Z	Screw	Key
------	-----------	----	---	---	-------	-----

604015 00-99616-16-25R 16 100 1

**new** 604019 00-99616-16-30R 16 120 1

NS-35080  
2.5 Nm NK-T15

**new** 604020 00-99616-25-40R 25 150 4

**new** For front and back chamfering.  
Eliminates 2nd operation or de-burring time.

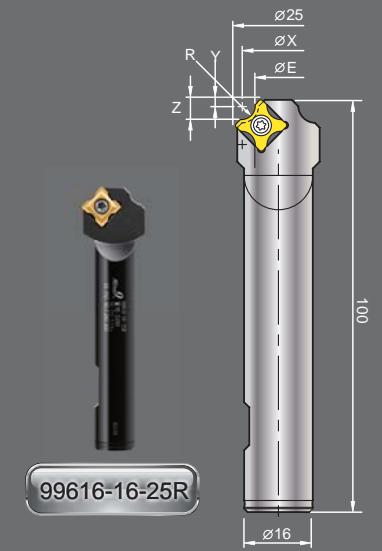
## Cutting Position>>

Insert Radius	Holder	Front Chamfering				Back Chamfering				Z
		øE	øX	Y	Z	øE2	øX2	Y2	Z2	
R10	00-99616-16-25R	8.25	9.25	3.25	4.25	---	---	---	---	1
	00-99616-16-30R	10.75	11.75	3.25	4.25	10.75	11.75	11.65	10.65	1
	00-99616-25-40R	15.75	16.75	3.25	4.25	15.75	16.75	11.65	10.65	4
R15	00-99616-16-25R	8	9.5	3	4.5	---	---	---	---	1
	00-99616-16-30R	10.5	12	3	4.5	10.5	12	11.9	10.4	1
	00-99616-25-40R	15.5	17	3	4.5	15.5	17	11.9	10.4	4
R20	00-99616-16-25R	7.75	9.75	2.75	4.75	---	---	---	---	1
	00-99616-16-30R	10.25	12.25	2.75	4.75	10.25	12.25	12.15	10.15	1
	00-99616-25-40R	15.25	17.25	2.75	4.75	15.25	17.25	12.15	10.15	4
R25	00-99616-16-25R	7.5	10	2.5	5	---	---	---	---	1
	00-99616-16-30R	10	12.5	2.5	5	10	12.5	12.4	9.9	1
	00-99616-25-40R	15	17.5	2.5	5	15	17.5	12.4	9.9	4
R30	00-99616-16-25R	7.25	10.25	2.25	5.25	---	---	---	---	1
	00-99616-16-30R	9.75	12.75	2.25	5.25	9.75	12.75	12.65	9.65	1
	00-99616-25-40R	14.75	17.75	2.25	5.25	14.75	17.75	12.65	9.65	4

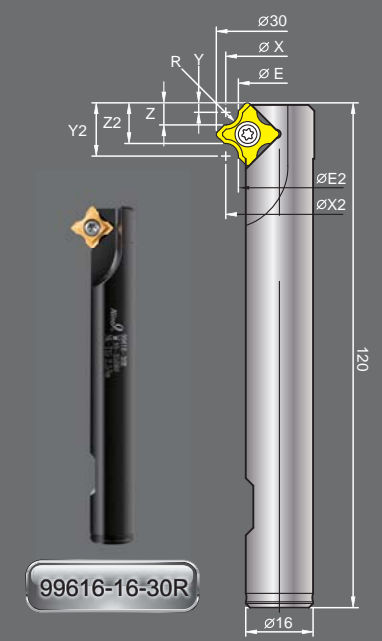


Jimmore International Corp.

Distributor



99616-16-25R



99616-16-30R



99616-25-40R